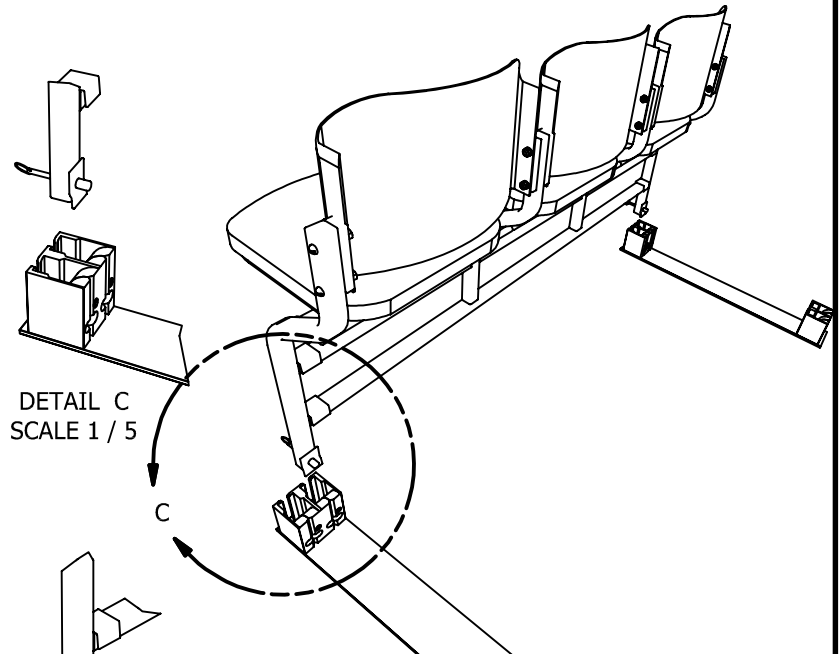
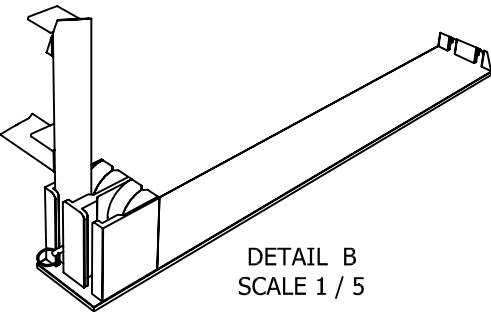
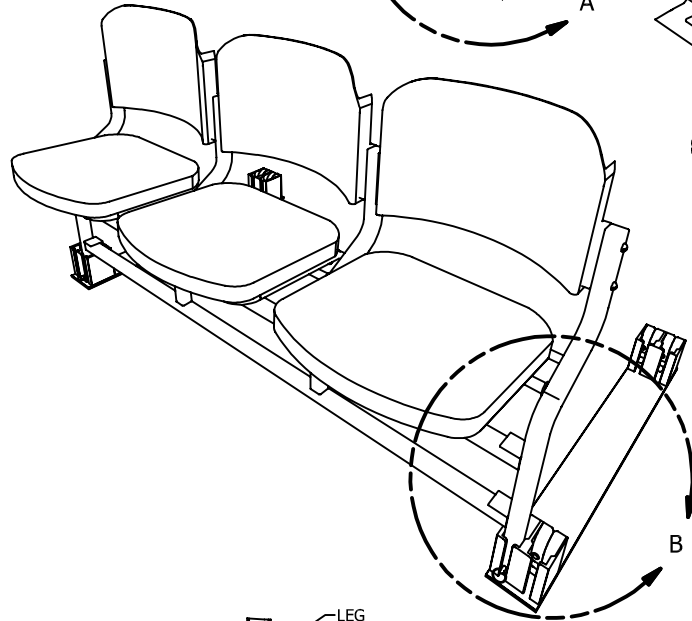


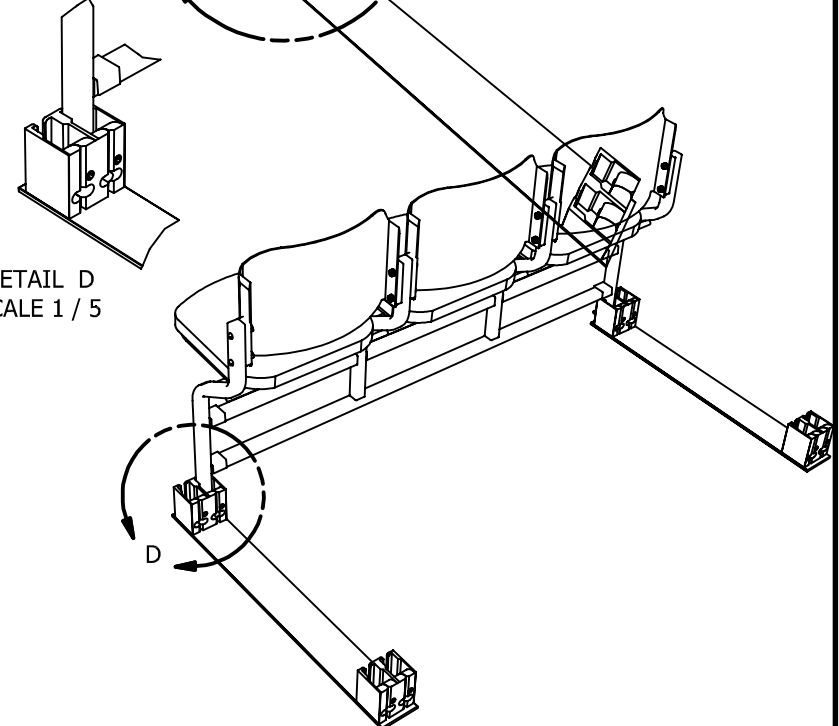
DETAIL A
SCALE 1 / 5



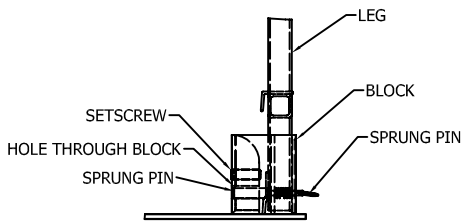
DETAIL C
SCALE 1 / 5



DETAIL B
SCALE 1 / 5



DETAIL D
SCALE 1 / 5



DETAIL G
SCALE 1 / 5

Notice: Seating Solutions claims proprietary rights to the information disclosed in this drawing.
It is issued in confidence for engineering information only and may not be used, in whole or in part, to manufacture anything whether or not shown hereon, or reproduced or disclosed to anyone without direct written permission from Seating Solutions

DRAWN Bill West		9/28/2010		Seating Solutions, 60 Austin Blvd., Commack, NY 11725.	
CHECKED				Phone: (631) 845-0449, Fax: (631) 845-0470, Website: www.sitonthis.com	
QA				TITLE	
MFG				FLOOR TRACK BLOCK AND PIN ACTION	
APPROVED				SIZE	
				C	
		DWG NO		REV	
		Floor Track Clip		1	
SCALE		1/10		SHEET 1 OF 1	